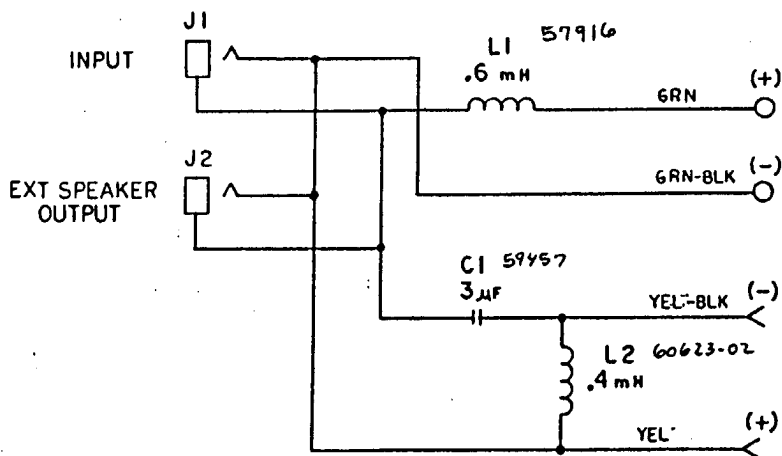


THESE DRAWINGS AND SPECIFICATIONS ARE THE PROPERTY OF JAMES B. LANSING SOUND INC. THEY ARE ISSUED IN STRICT CONFIDENCE AND SHALL NOT BE REPRODUCED, COPIED, OR USED AS THE BASIS FOR MANUFACTURE OR SALE OF APPARATUS WITHOUT WRITTEN PERMISSION.

REVISIONS						
CHG	LTR	DESCRIPTION	DRFT	CHK	DATE	APPR
S-0319	A	REL FOR PROD	LR	llv	5-23-63	LR. Wjy
3426	B	FEMALE TERMS ADDED TO YEL/BLK WIRE	BP	ojs	4-17-64	LR. Wjy



MI12-1

2415/2371H

NMI631

64459-01

ITEM	PART NO.	DESCRIPTION	QTY	REMARKS
BILL OF MATERIAL				
UNLESS OTHERWISE SPECIFIED DIMENSIONS ARE IN INCH SIZES BREAK SHARP EDGES .016 inch		MATERIAL	DRAWN 5-10-63 J.B. LANSING	JAMES B. LANSING SOUND, INC. A Harmon International Company Northridge California 91328 U.S.A.
TOLERANCES (UNLESS OTHERWISE SPECIFIED) X.XXX ± .005 inch X.XX ± .010 inch X.X ± .020 inch FRACTIONAL DIMENSIONS ± 1/32 ALL DIMENSIONS ARE FINISHED DIMENSIONS DO NOT SCALE DRAWING		FINISH	CHECKED: [Signature] DATE: [Signature]	
		MODELS USED ON	INCH	SIZE
		NMI631	DRY	DRAWING NO. 64459-01
			APPR L. J. [Signature]	REV B
			SCALE NONE	SHEET 1 OF 1

NOTES: (UNLESS OTHERWISE SPECIFIED)